



Photo



Descriptions

A part required installation of a high-efficiency filter element.
Can also be used for introducing fresh air from outdoor.

Applicable Models

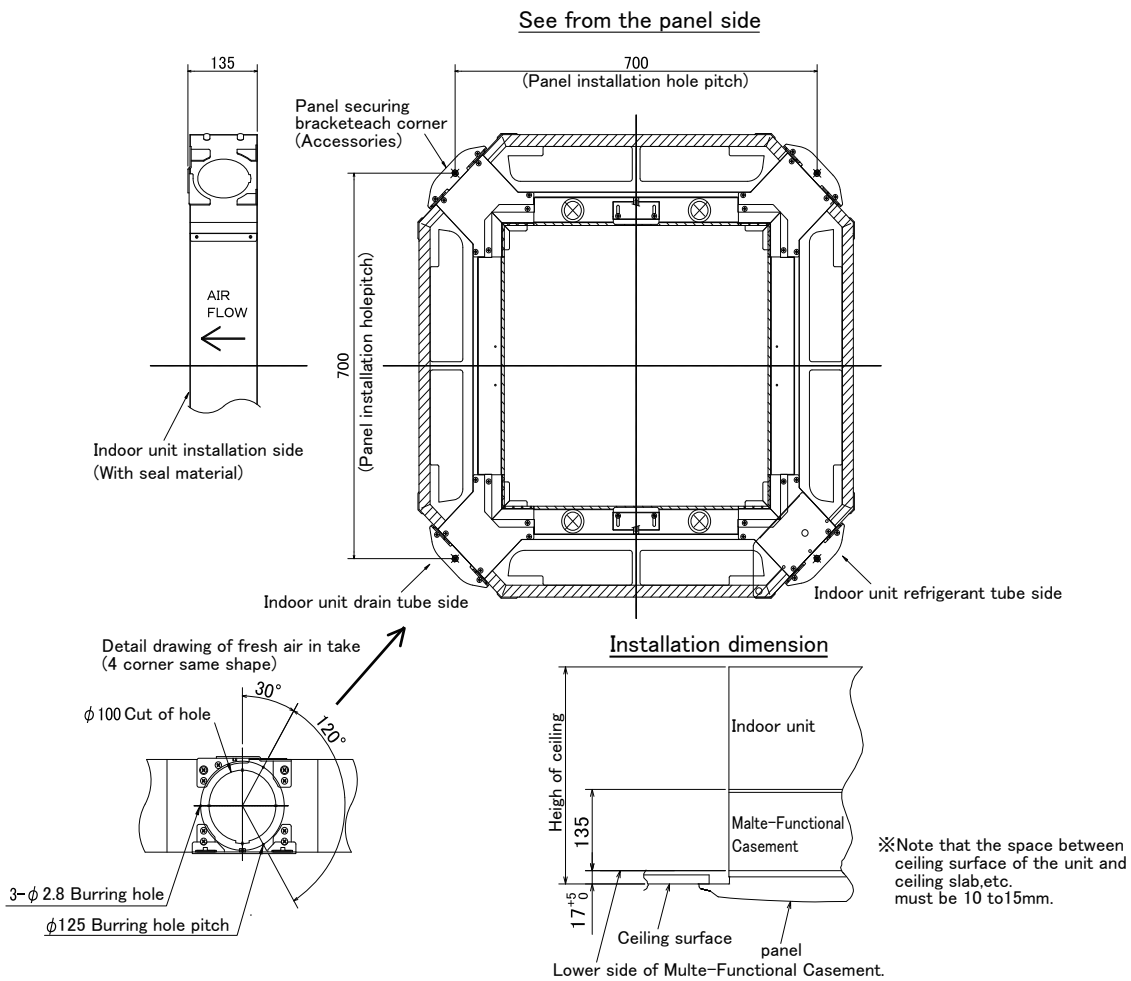
■ PLA-RP-BA/BA2/BA3

Specifications

Connected duct diameter (mm)		
Fresh air intake	Number of intakes	Any 2 corners or less (among four corners)
	Input volume	20% or less of indoor units air volume
High-performance filter element		Colorimetric method (65%)

Dimensions

Unit : mm

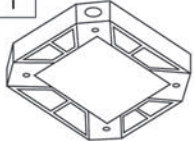


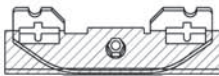

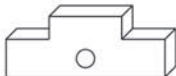


OPTIONAL PARTS

How to Use / How to Install

1 Parts check. (The unit is provided with this manual and following parts in the box.)

MULTI-FUNCTIONAL CASEMENT

Part No. Name	① Multi-functional casement	② Screw with washer (black)	③ Screw	④ Decorative panel securing bracket	⑤ Insulator A for Decorative panel	⑥ Insulator B for Decorative panel
Q'ty	1	4 M5×0.8×25	8 M5×0.8×12	4 With insulator	1	1
Figure						

NOTICE

- (1) When taking in external air, use the PAC-SH65OF-E duct flange (optional) and duct (to be procured at local site).
 ※It is available of fresh-air intake even when the High-efficiency filter element is installed.
- (2) Follow the procedure in this manual for installation of the Multi-functional casement ①.
 Otherwise, it is possible that installation of refrigerant tubes, drain tubes, and electrical wiring will not be available.

2 Installation of Indoor unit.

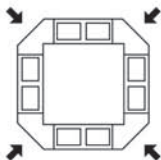
- Follow the description in the installation manual which is attached to the indoor unit.

3 Installation of Multi-functional casement.

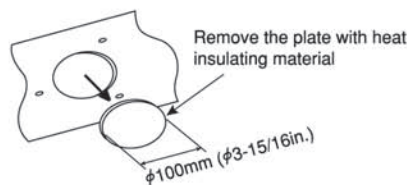
Preparation before installation

- If it is necessary to change the number of air outlet, the optional parts Air Outlet Shutter Plate should be installed on the indoor unit.
 Therefore, the installation should be done before the Multi-functional casement ① is installed on the indoor unit.
- The Multi-functional casement ① has four knockout on each side so that the air can be taken from any of four sides. Select any one or two sides in advance and make knockout holes on the Multi-functional casement ①.

— Knockout hole position for fresh-air intake. —



— Making knockout holes —



- Be sure to use the PAC-SH65OF-E (optional) for duct flange.

3 Installation of Multi-functional casement.

Wiring indoor unit

- Be sure to do the wiring (indoor/outdoor connection cables, remote control cable, etc.) before attaching the Multi-functional casement:
 ※ Wiring after attaching the Multi-functional casement will be difficult.

Hand tightening

※ Be sure to use two persons for this work.

- Fix the two screw with washer (black) ② to each position. (drain tube corner position and to its opposite angle).
- Hook the hole of the Multi-functional casement ① to the screw with washer (black) ② and hand tight.

Fixing

- Temporarily secure the two screws with washers ②, and also the other two screws with washers ②, and then tighten these screws with washers ② after making sure that the position of Multi-functional casement ① is correct.

Caution

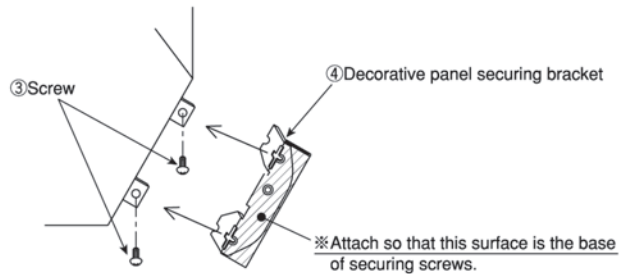
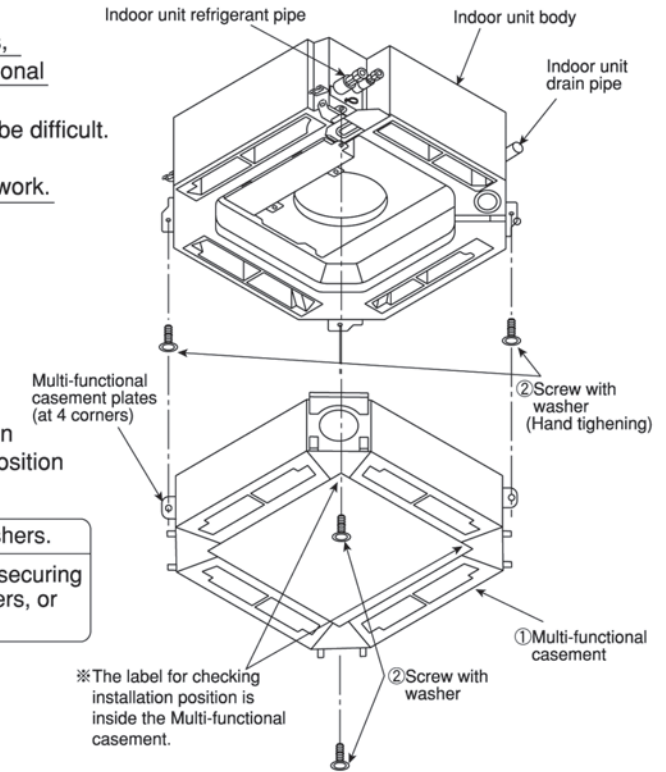
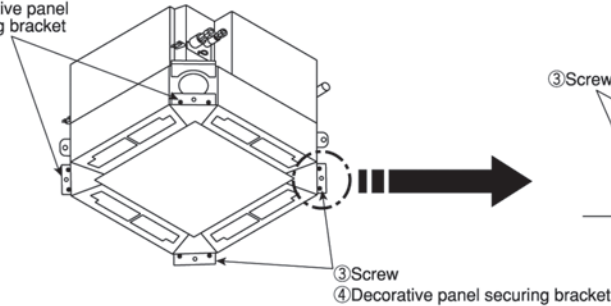
Temporarily secure the four screws with washers.

- Tightening the screws without temporarily securing them could damage the screws with washers, or cause air leak.

Attaching bracket for securing decorative panel

- Use eight screws ③ to secure the four brackets for securing decorative panel ④ to each corner of Multi-functional casement ①. (See the figure below.)

- ③ Screw
- ④ Decorative panel securing bracket

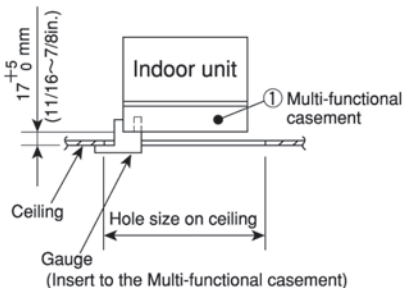


Height adjustment

※ It is recommended to make this adjustment before installation of duct when fresh air intake.

- Readjust the height of the Multi-functional casement ① with the gauge which is attached to the decorative panel as show right.

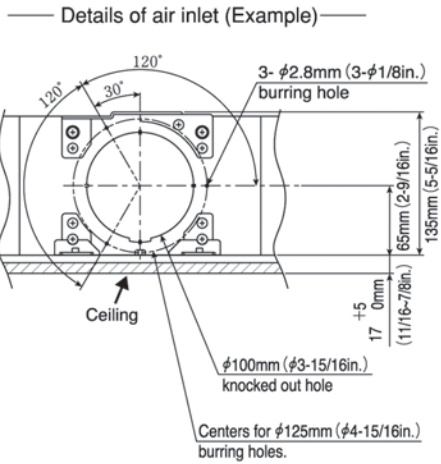
The gap must be in a range from 17mm(11/16in.) to 22mm(7/8in.). If out of range, it can cause malfunction.



4 Installation of duct (in case of fresh air intake)

Installation of duct flange

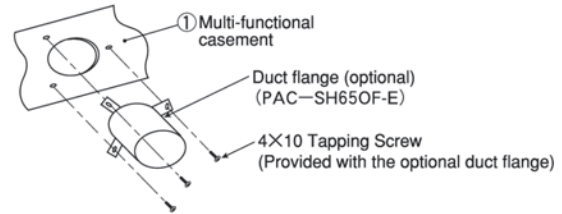
- Install the optional duct flange referring to the installation manual provided with it.



Caution

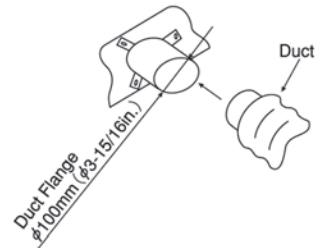
Linkage of duct fan and air conditioner

- In case that a duct fan is used, be sure to make it linked with the air conditioner when outside air is taken. Do not run the duct fan only. It can cause dew drop.



Installation of duct (should be prepared locally)

- Prepare a duct of which inner diameter fits into the outer diameter of the duct flange.
- In case that the environment above the ceiling is high temperature and high humidity, wrap the duct in a heat insulator to avoid causing dew drop on the wall.



5 Installation of Decorative panel

Preparation for installation

- Paste insulator A ⑤ and insulator B ⑥ on the Decorative panel as shown in the figure. See the installation manual provided with the Decorative panel for how to remove the corner panel, etc.

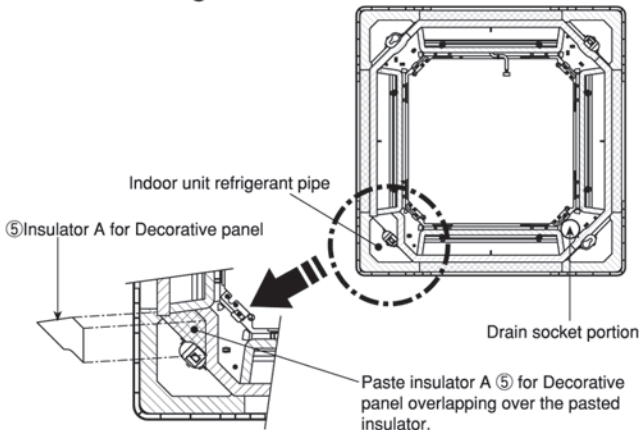


Caution

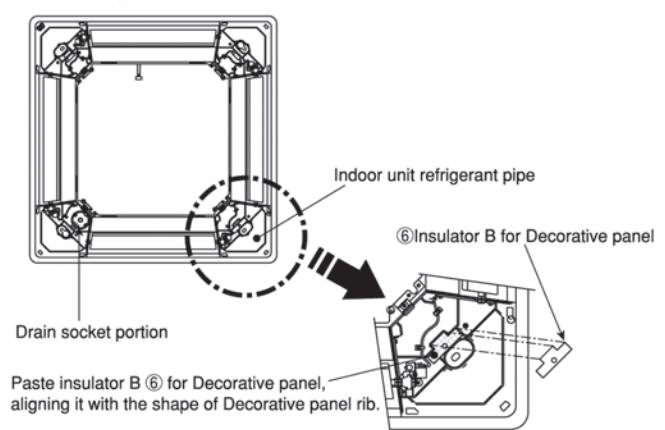
Paste insulators on Decorative panel.

- Be sure to paste on insulators A and B: Operation without pasting the insulators could cause dripping of water.

<Non-design surface side>



<Design surface side>



5 Installation of Decorative panel**Attaching Decorative panel**

- Attach the Decorative panel, referring to the installation manual provided with the Decorative panel.
※ Be sure to align the drain socket of Decorative panel with the drain pipe of indoor unit for attachment: Improper attachment could cause dripping of water.
- Connect the leads of Decorative panel and optional Signal receiver to the indoor unit through the bush of Multi-functional casement.

