



## Photo



## Descriptions

Removes minute dirt particles in the refrigerant pipe. Is used when replacing an air-conditioning unit. (for Liquid Pipe of  $\Phi$  12.7)

## Applicable Models

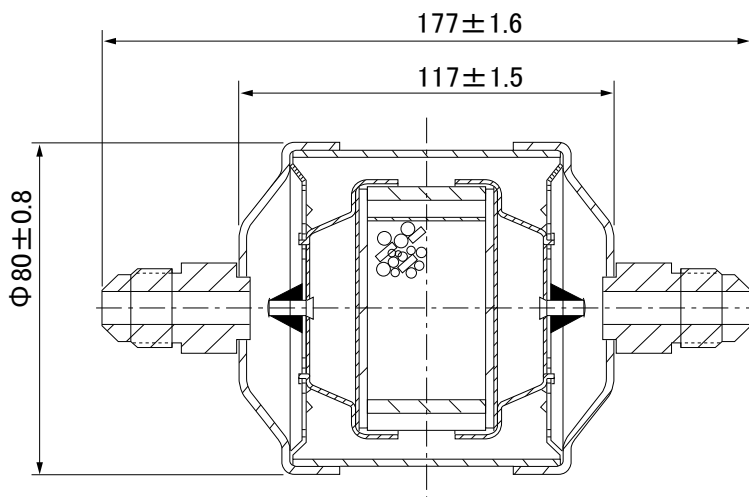
- PUAZ-RP200
- PUAZ-RP250

## Specifications

Pipe size	Liquid side: $\Phi$ 12.7 flare
Applicable refrigerant	R407C / R410A

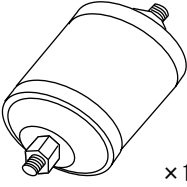
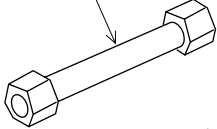
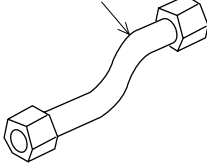
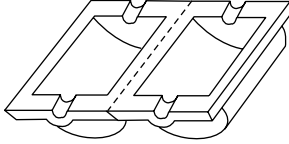
## Dimensions

Unit : mm



# How to Use / How to Install

Make sure that you have all the following parts.

① Filter dryer	② Connection pipe	③ Heat insulator
 x 1	With PAC-SG81DR-E (for $\phi 6.35$ ) or PAC-SG82DR-E (for $\phi 9.52$ )  x 1 or With PAC-SG85DR-E (for $\phi 12.7$ )  x 1	 x 1

## Installation Procedures (carefully read the following before installing)

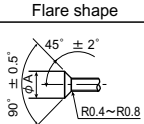
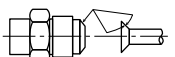
- Cautions**
- 1) This optional part is used to remove moisture inside the refrigerant pipe and prevent fault of compressor. However, if there is excessive contamination inside the refrigerant cycle, such as a large amount of mixed moisture, etc., the dryer must be replaced after it is used during one season (the amount of allowable moisture absorption: 3-7 cc).
  - 2) Install the filter dryer to refrigerant pipe midway on liquid side, using flare connection.
  - 3) The filter dryer can be attached outside the unit. It can also be attached to the inside of unit only if the space for installation can be secured

### 1 Preparations for Installation

- Refer to the installation manual of outdoor unit for the procedures of removing outdoor unit panel, refrigerant piping, vacuuming, etc.
- Removing panel
  - Remove the service panel and cover.
- Connecting pipes
  - When bending pipe, allow enough bending R (R100-150), and take care that the pipe is not folded.
  - Lay out the pipe so that it does not come into contact with the compressor. (Being in contact could cause abnormal sound or vibrations.)
  - Apply flare processing to the connection pipe procured at local site.
  - Thinly coat the flare sheet surface with refrigerant oil (procured at local site).

Pipe diameter (mm)	Dimension B (mm)	
	R410A flare tool	R22/R407C flare tool
$\phi 6.35$ (1/4")	0~0.5	1.0~1.5
$\phi 9.52$ (3/8")	0~0.5	1.0~1.5
$\phi 12.7$ (1/2")	0~0.5	1.0~1.5

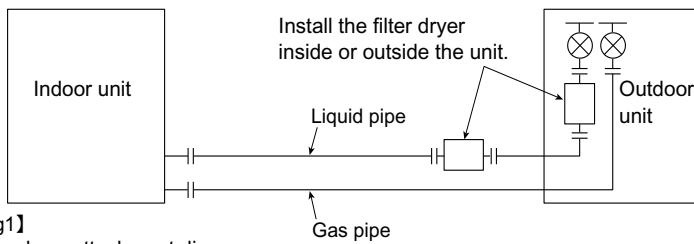
※Use the above table as a reference when processing the flare for refrigerant R410A using the conventional tool. Dimension B can be secured when using a copper pipe gauge for outgoing margin adjustment.

Outer diameter of copper pipe (mm)	Processing size of flare portion $\phi A$ (mm)	Flare shape	Refrigerant oil coating point	〈Appropriate tightening force with torque wrench〉	
$\phi 6.35$	8.7~9.1	 $45^\circ \pm 2^\circ$ $90^\circ \pm 0.5^\circ$ $R0.4 \sim R0.8$	Coat the entire circumference of sheet surface with refrigerant oil. 	Outer diameter of copper pipe (mm)	Tightening force N.m (kgf-cm)
$\phi 9.52$	12.8~13.2			$\phi 6.35$	14~18 (140~180)
$\phi 12.7$	16.2~16.6			$\phi 9.52$	34~42 (340~420)
			$\phi 12.7$	49~61 (490~610)	

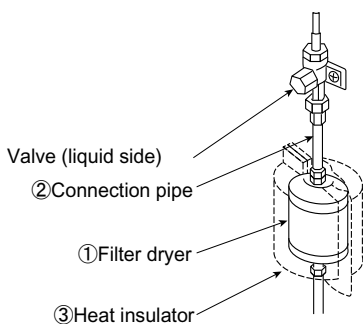
### 2 Installing Filter Dryer

Be sure to attach the filter dryer on the liquid pipe (narrower one)

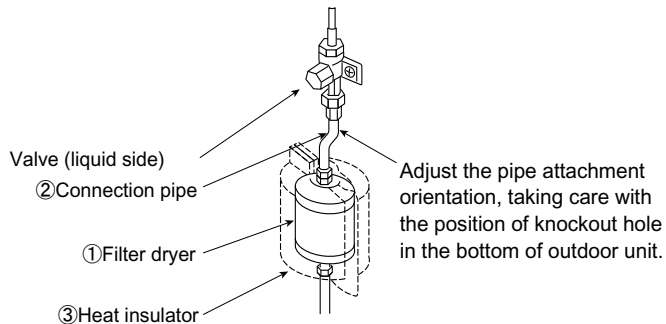
- When installing the filter dryer inside the unit, refer to Fig. 1 or Fig. 2 according to the space in unit and install it. If there is no space for the dryer to be installed in unit, install it outside the unit (see Fig. 3).



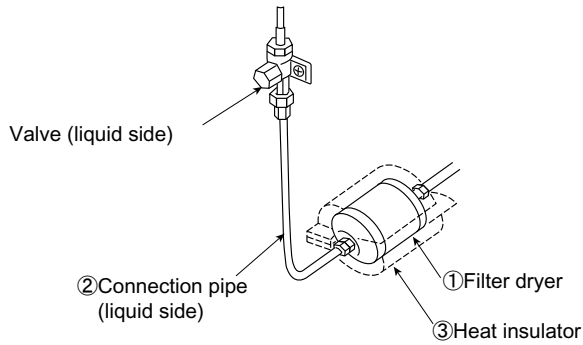
With PAC-SG81DR-E or PAC-SG82DR-E



With PAC-SG85DR-E

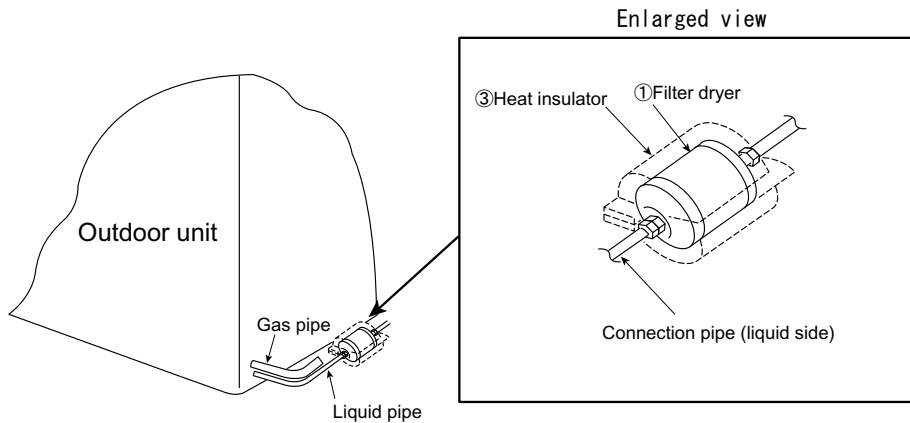


【Fig2】Filter dryer attachment diagram (horizontal attachment in unit)



- ii) When installing the filter dryer outside the unit, attach it to any position of extended pipe. Procure the connection pipe at local site.

【Fig3】Filter dryer attachment diagram (attachment outside unit)



- iii) Heat insulation (to prevent dripping)
- After attaching the filter dryer, wrap the heat insulator around the dryer.
  - ※Tape the seam of heat insulator so that no gap is produced.
  - Also wrap heat insulator around other pipes.

### 3 The attachment of filter dryer is now complete.

Reattach the service panels, etc. to the original position.

### 4 Test Run

- i) Perform test run according to the installation manual of unit, and be sure to execute gas leakage check and operation check.