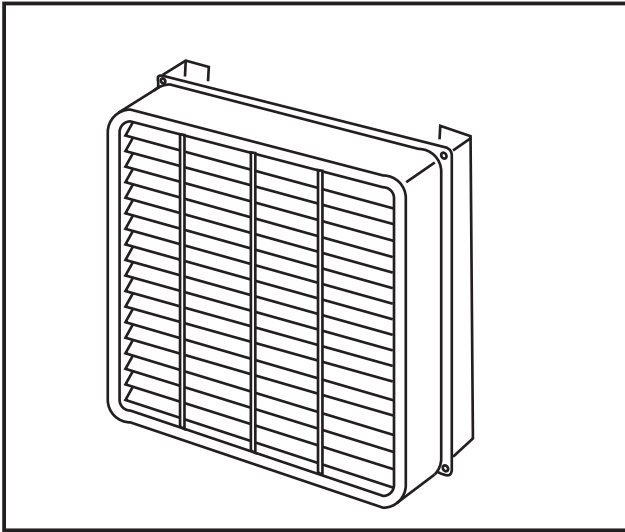




## Figure



## Descriptions

The air outlet guide changes the direction of air from the outdoor unit and prevents short cycling.

## Applicable Models

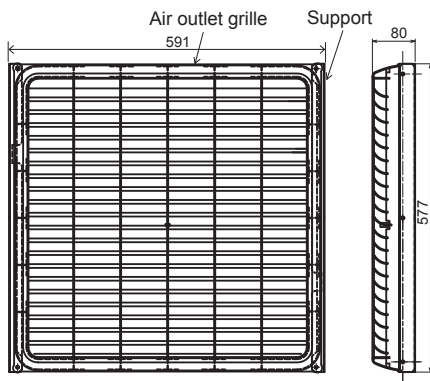
- MXZ-3D54VA    ■ MXZ-4D72VA    ■ MXZ-5D102VA
- MXZ-3D68VA    ■ MXZ-4D83VA

## Specifications

Exterior	Color (Munsell)	Ivory (3.0Y7.8/1.1)
	Material	Air outlet grille: PP resin
Air outlet direction		Changeable between up and down
Accessory name × Qty. <Material/Surface treatment>		Support A × 2 (Alloy hot-dip zinc-coated carbon steel sheet / Acrylic resin coating) Support B × 2 (Alloy hot-dip zinc-coated carbon steel sheet / Acrylic resin coating) Screw (5×10) × 14 (Iron/Zinc nickel alloy plated)

## Dimensions

Unit : mm

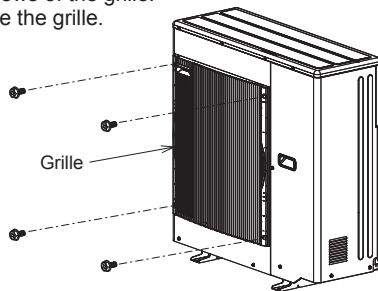


## Components

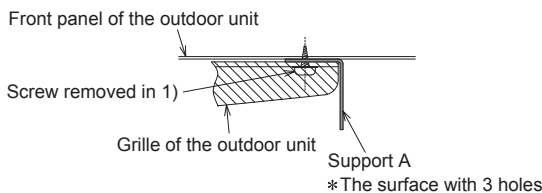
① Air outlet guide ×1	② Support A ×2	③ Support B ×2	④ Screw 5×10 ×14

## How to Use / How to Install

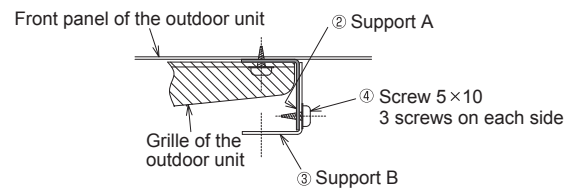
- Remove 4 fixing screws of the grille.  
Note) Do not remove the grille.



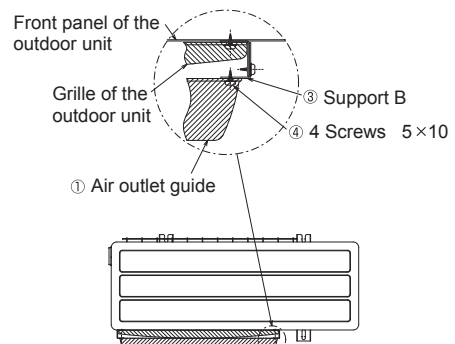
- Insert the support A between the outdoor unit and the grille, and reinstall the screws that removed in 1).  
Note) Support A for right side and left side are identical with each other. The surface with 2 holes should face the outdoor unit, and the other surface with 3 holes faces the outside.



- Fix the support B to the support A with 3 screws (5×10) on each right and left side.



- Fix the air outlet guide to the support B with 4 screws 5 × 10.  
\* The installation direction of the air outlet guide can be selected from 4 directions so that air blows upwards, downwards, to the left, or to the right. Choose the appropriate direction according to the installation environment.



OPTIONAL PARTS