



Photo



Descriptions

Part to attach aduct to take in fresh air from outdoors.

Applicable Models

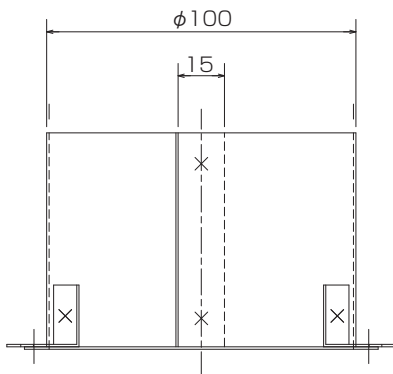
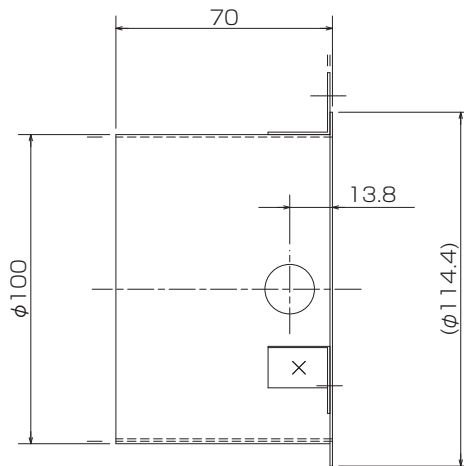
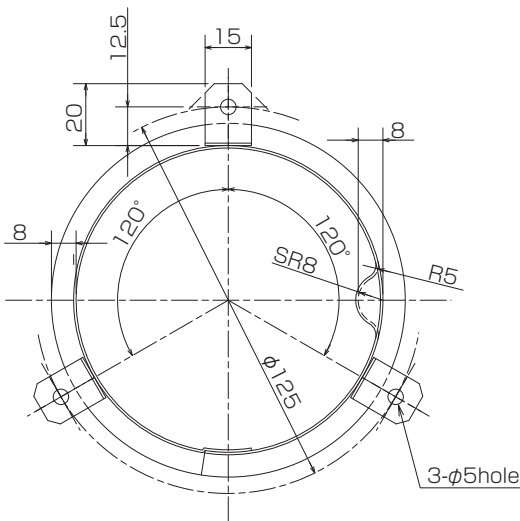
- PLA-RP•BA/BA2/BA3

Specifications

Connection duct diameter (mm)	Φ200
Material	Hot-dip zinc-coated carbon steel sheet (t0.8)
Accessory	Insulator Fixing screw (ST4x10)x3

Dimensions

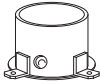

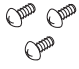
Unit : mm



OPTIONAL PARTS

How to Use / How to Install

1. Checking Parts (This box contains the instruction sheet and the following parts)

Part	① Duct flange	② Insulator	③ Screws(M4×10)
Qty	1	1	3
Shape			

2. Attaching Duct Flange for External Air Input

1) Punch an opening for the duct flange.

⟨When attaching to indoor unit⟩

• Cut the slit of the $\phi 100$ cut-out hole to which the duct flange is to be attached.

• Cut out enough internal polystyrene foam to match the $\phi 100$ hole. (Remove the cut powder completely: Neglecting this could cause a fault.)

⟨When attaching to multi-functional casement⟩

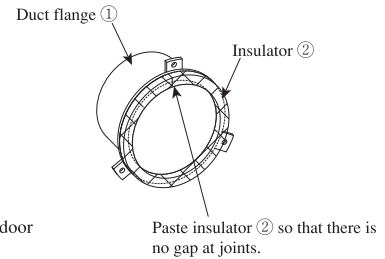
• Remove the $\phi 100$ knockout hole to which the duct flange is to be attached.

2) Paste insulator ② on the duct flange ① (see the figure on the right).

3) Use three screws ③ to attach duct flange ① (see the figure below).

※When attaching to the indoor unit, be sure to remove the insulator that is pasted on the location of indoor unit (shown in the figure below).

※When attaching to multi-functional casement, be sure to set the concave portion of duct flange ① toward the panel attachment surface when attaching it. (If the duct flange is attached to a location other than the specified one, the decoration panel cannot be attached.)



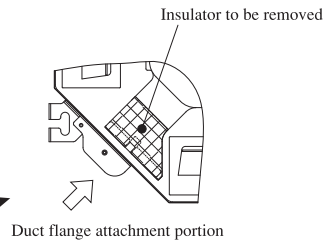
When attaching to indoor unit

Refrigerant pipe portion

Drain pipe portion

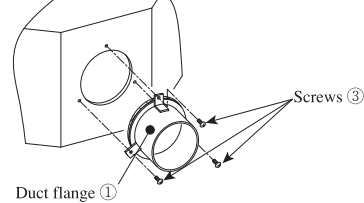


Indoor unit



Duct flange attachment portion

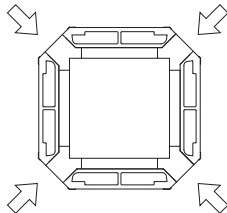
Duct flange attachment portion



Duct flange ①

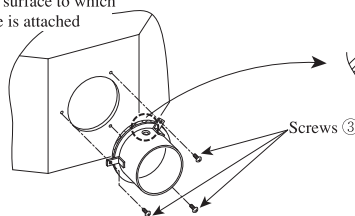
Screws ③

When attaching to multi-functional casement



Arrow views (4 portions) Duct flange attachment portions

Panel surface to which flange is attached



Screws ③

Panel surface to which flange is attached

Set the concave portion (panel setscrew escape section) toward the panel surface to which flange is attached.